

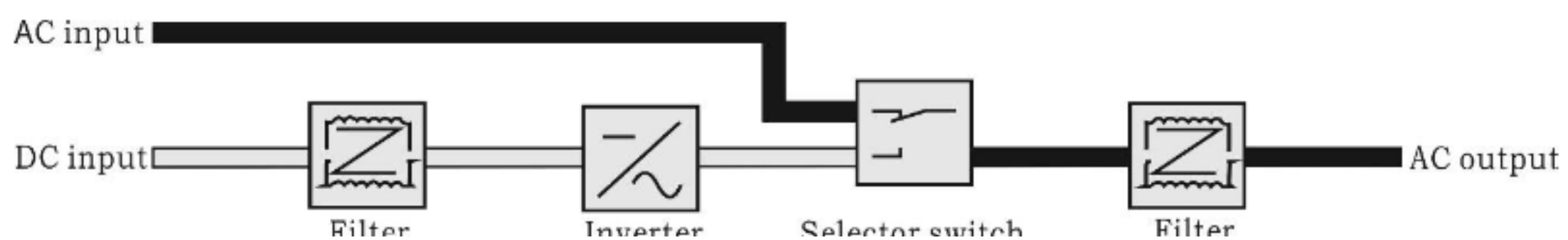
110VDC to 220VAC 500VA ~ 10.000VA Pure Sine wave Inverter

The pure sine wave inverter is specially designed for electricity and communication systems. It is a conversion device that converts electricity from the mains city ac voltage or batteries dc voltage to a continuous and purified AC power apply for computers and other electrical equipment. To prepare for the instability of the city electricity and power cuts. It prevents various distortions of utility power also, such as power supply voltage drop, surge voltage, spike voltage, and broadcast frequency interference.



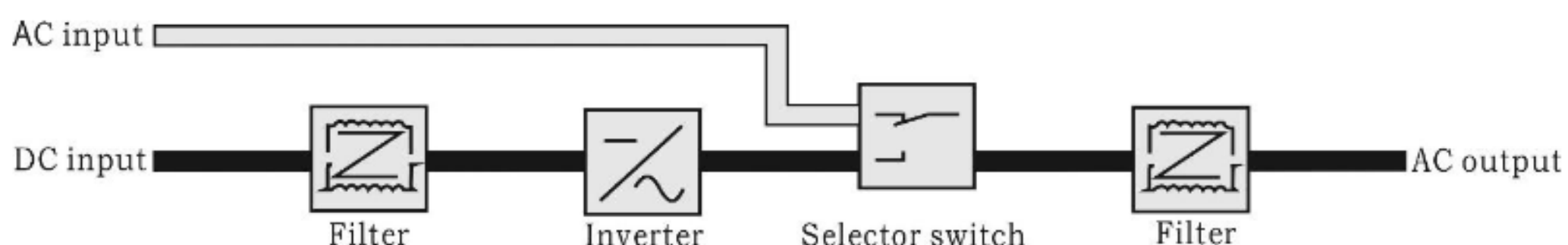
- **AC Mains bypass mode**

- In the AC mains bypass mode, the mains power is switched to the output via a relay, and the mains bypass directly supplies power. When the main fails, it automatically switches to the inverter and is powered by the battery or DC to ensure uninterrupted power supply to the equipment.



- **Inverter mode**

- In the inverter mode, after the DC boost inverter is reversed, it is switched to the output via a relay and directly powered by the battery or DC. When the inverter fails, it automatically switches to the bypass and is powered by the mains to ensure the uninterrupted power supply of the equipment.



SPECIFICATION OF 110VDC INPUT SERIES

Model	MEM 500 110V	MEM 1000 110V	MEM2 000 110V	MEM 3000 110V	MEM 4000 110V	MEM5 000 110V	MEM 6000 110V	MEM8 000 110V	MEM 10000 110V
DC INPUT									
Rate input Voltage/Vdc	110VDC								
Rate input Current/A	4.3A	8.3A	16.6A	24.9A	33.4A	36.6A	51.3A	68A	85A
Input dc range Voltage	DC shut down voltage range : 90V—145V DC start up voltage range : 94V--142V								
Reverse noise Current	≤10%								
AC Bypass input									
Allow bypass voltage (Vac)	220VAC±20%								
Rate input current/A	1.8A	3.6A	7.2A	10.8A	14.5A	18.2A	21.8A	29A	36A
Bypass conversion time/ms	≤5ms								
AC Output									
Rated output Capacity/KVA	0.5K	1K	2K	3K	4K	5K	6K	8K	10K
Rated output power/W	400	800	1600	2400	3200	4000	4800	6400	8000
Rated output voltage and frequency	220Vac , 50Hz								
Rate output current/A	1.8	3.6	7.2	10.8	14.5	18.2	21.8	29	36.3
Output voltage accuracy/V	220Vac±1.5%								
Output frequency accuracy/Hz	50±0.1%								
Waveform distortion rate (THD)	≤3% (Linear load)								
Dynamic Response	5% (Load 25%← → 100%)								
Power Factor/PF	0.8								
Over load ability	≥100%~125% , 10mins; 125%~150% , 15seconds; 150% , shut down Immediately								
Efficiency	≥85% (80% Resistive load)								
Bypass conversion time/ms	≤5ms								
Operating Environment									
Insulation strength (input and output)	1500Vac , 1min								
Noise/1m	≤40dB								
Operating temperature	-25°C~+50°C								
Humidity	0~90% , no cooling								
Altitude /m	≤1000								
Protection									
Protect function	Input lower voltage, input overvoltage protection; output overload protection, output short circuit protection								
Dimension-mm/Weight--kg									
ABCD definition									
A. 82(W)*44(H)*300(D)---1U ---0.5/1/2KVA									
B. 482(W)*88(H)*335(D) ---2U---0.5/1/2KVA									
C. 482(W)*88(H)*368(D) ---2U---3/4/5/6KVA									
D. 482(W)*176(H)*440(D) ---2U---8/10KVA									
Rack Mount	AB	AB	AB	C	C	C	C	D	D
Weight/Kg	4.8/6	5/6	6/7	12	13	14	15	20	22

Note: The rated output power with error 500 VA ± 50W; 1-10KVA is ± 100W